

10.1 inch Industrial Embedded Ultra Flat IP65 Touch Monitor



Waterproof Full Flat IP65 Seamless Front

- 10.1", 1280X800, 16:10 aspect ratio
- Frame: Industrial Grade Aluminium Alloy
- Inches Available: 10.1 inch to 21.5 inch
- Color: Balck or Silver
- OEM, OEM, Customized Available

Feature

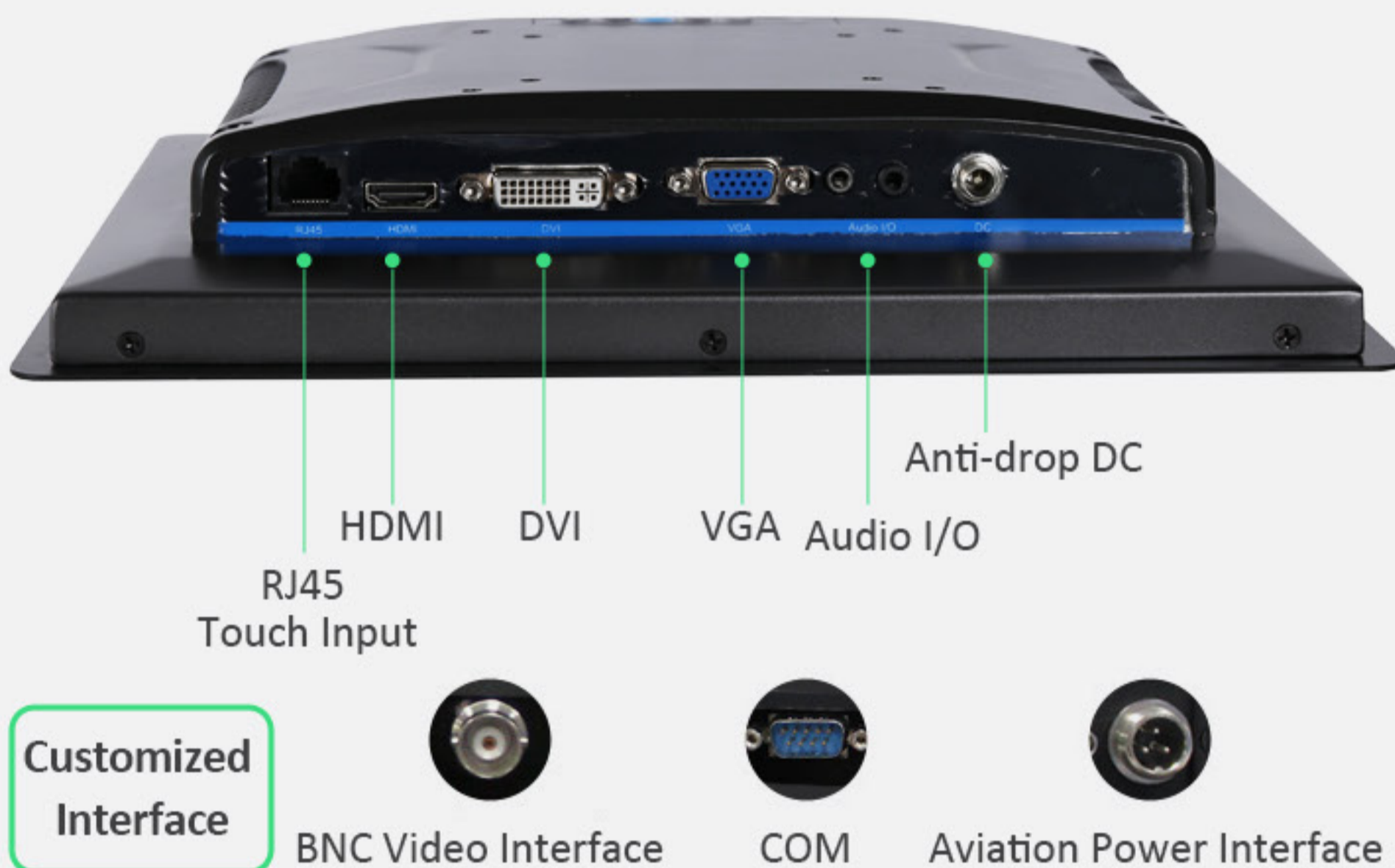


- OSD, Power Button
- Embedded Holes
- Excellent Heat Dissipation Design
- VESA Holes(75*75mm;100*100mm)



Interfaces

Support VGA,HDMI,DVI Automatic Identification Signal Channel

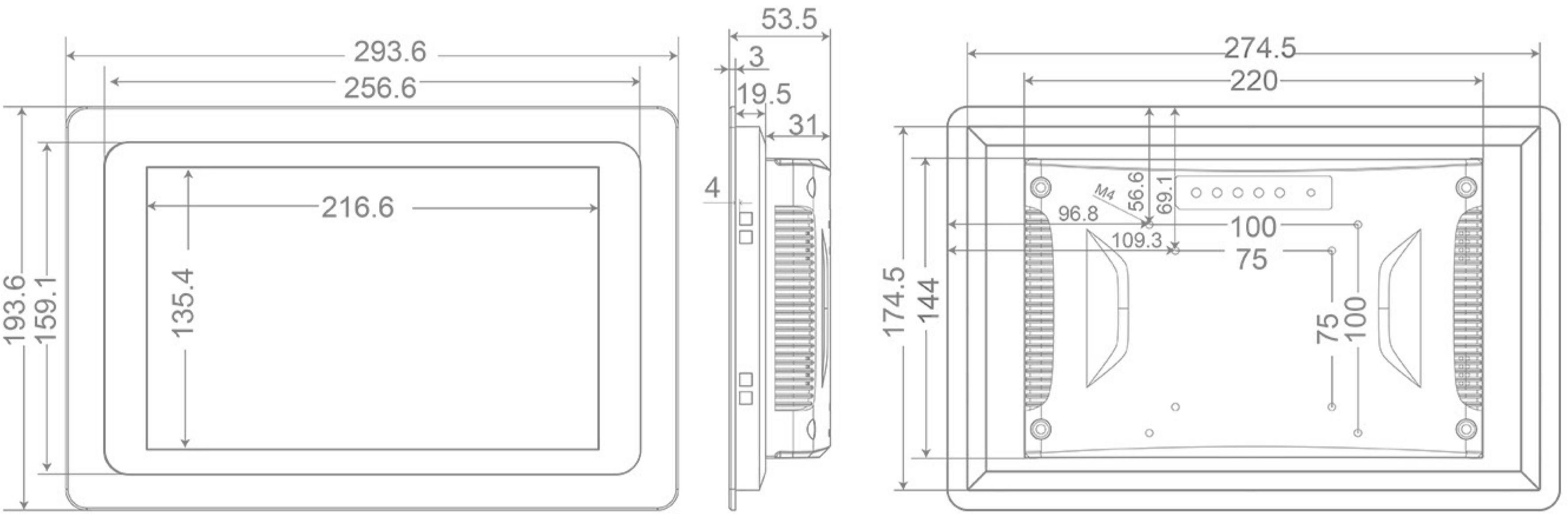


Touch Type

Front Panel IP65 Design, Water and Dust Proof



Dimension



Installation



Embedded With Buckles(Default)



Folding Bracket Stand(Optional)



Wall Hung Kits(Optional)



Match VESA ARM(Optional)

Specification

General Info	Item No.	KT101F
	Material	Aluminum Alloy
	Color	Black/Silver
	IP Rating	IP65, Indoor&Outdoor Complied
	Weight	3.2 KG
	Certificate	CE ROHS
	Warranty	1 Years
	Avalability of Customization	Yes
Screen Info	Screen Size	10.1 inches with Bezel 3mm
	Resolution	1280*800
	Proportion	16:10
	Gray-scale Response Time	5ms
	Panel Type Industrial	Control A style TFT
	Point Distance	0.264mm
	Contrast	1000:1
	Backlight Type	LED,Lifespan≥50000h
	Display Color	16.7M
	Visual Angle	160°/160°
	Brightness	400cd/m2
	Touch Type	Capacitive,Resistive and Infrared Optional
	Touches Cycles	≥50 Million Times
Interface Info	Signal Interface	DVI,HDMI,VGA
	Touch Interface	Ethernet to act as USB for touch
	Other Interfaces	Audio Input and Output
	Power Connector	DC with Ring Attachment (Optional DC Terminal Block)
Power Info	Power Supply	External Power Adapter 100-240V, 50-60HZ
	Monitor Input Voltage	12-24V
	Monitor Power	≤35W
	Dustproof and Waterproof	Front Panel IP65 Dustproof and Waterproof
	Installation Method	Embedded,Desktop,Wall-mounted,VESA ARM Optional
	Ambient Temperature	<80%,Non-condensable
	Working Temperature	-20°C~70°C
Language Menu	Chinese,English,German,French,Korean, Spanish,Italian,Russian,Customized	